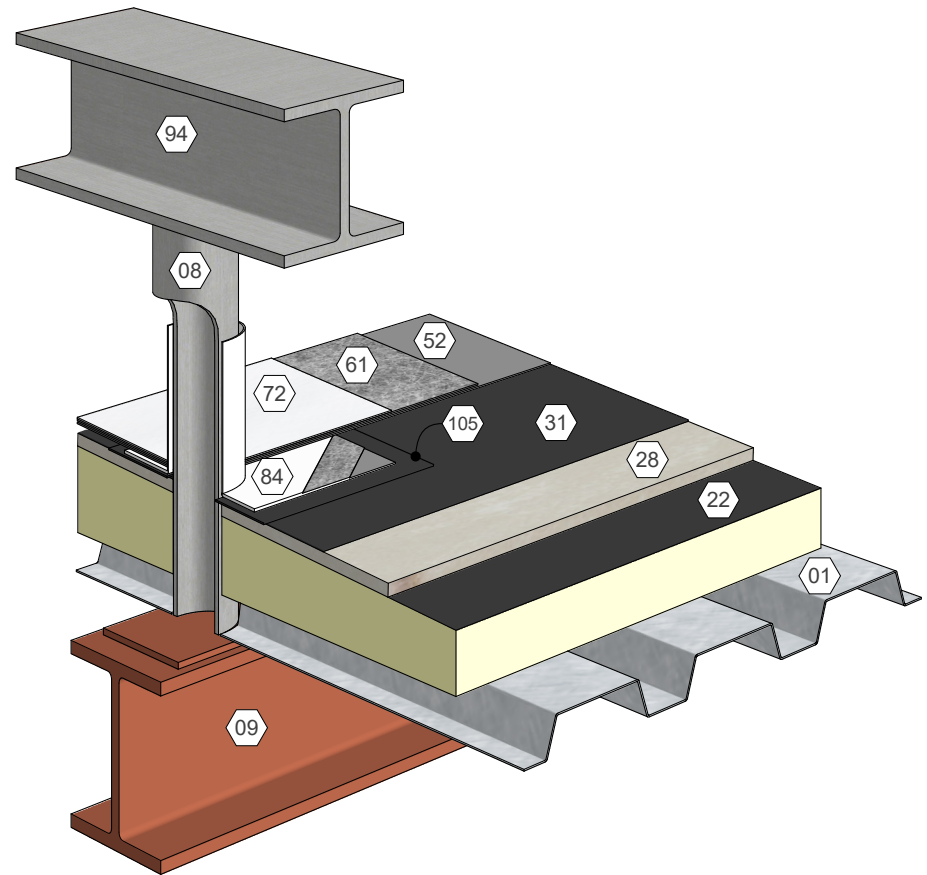
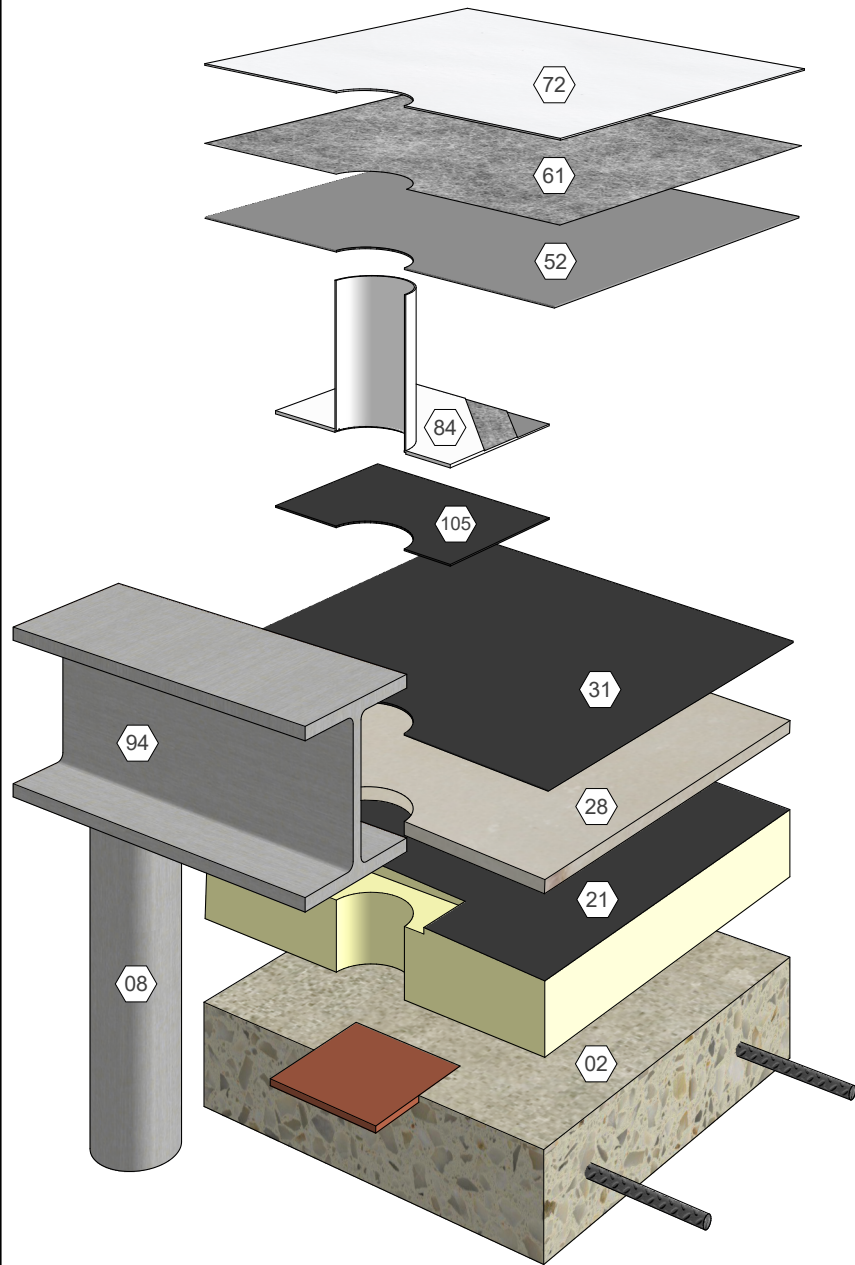


KEY NOTES

- | | | |
|--|-------------------------------------|------------------------|
| 01 Metal Deck | 28 Cover Board (Adhered) | 84 AlphaGuard Flashing |
| 08 Equipment Support Stand Leg | 31 Approved Base Ply Sheet | 94 Equipment Support |
| 09 Roof Structure | 52 AlphaGuard BIO Base Coat | 105 Target Patch |
| 22 Polyisocyanurate Insulation (Fastened or Adhered) | 61 AlphaGuard Glass Mat or Permafab | |
| | 72 AlphaGuard BIO Top Coat | |

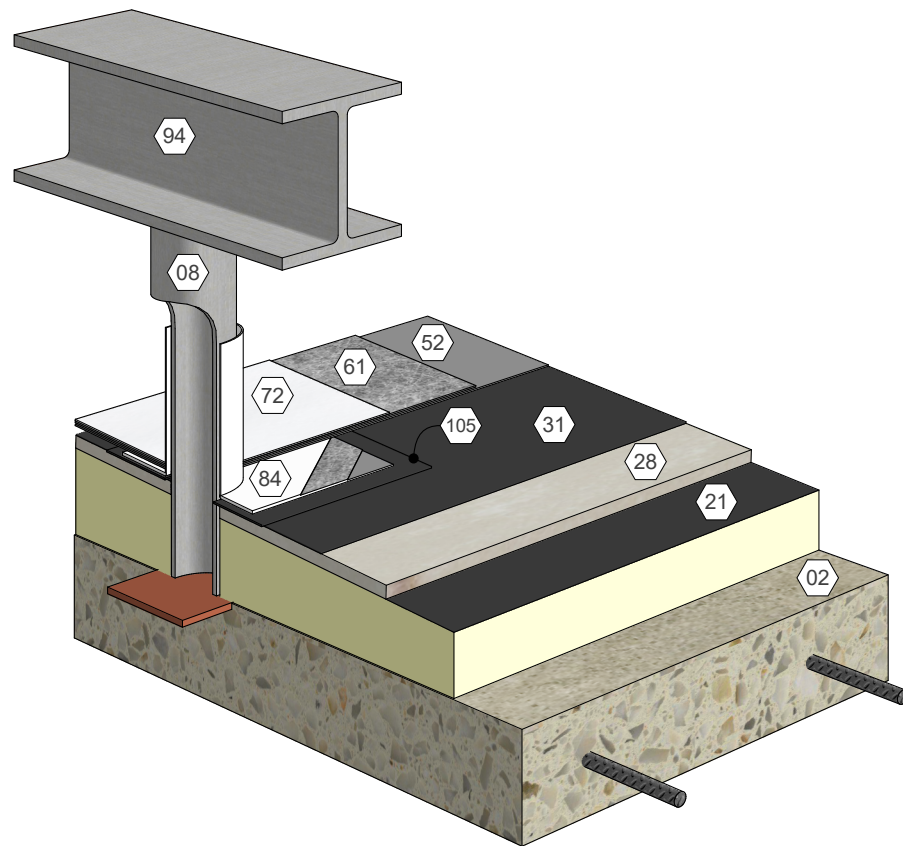


AlphaGuard® BIO Plus Equipment Support Stand Leg Detail, Metal Deck
Detail 23111

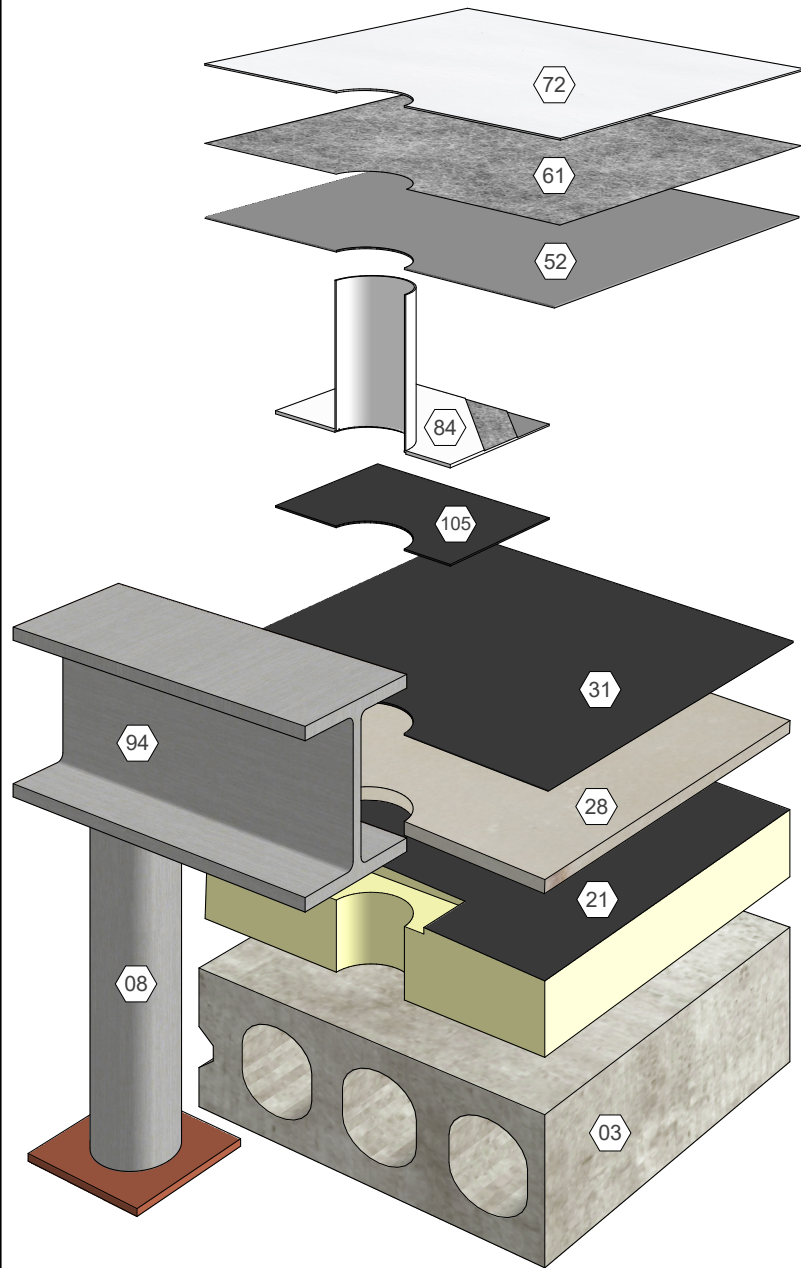


KEY NOTES

- | | | |
|--|-------------------------------------|----------------------------|
| 02 Structural Concrete Deck | 28 Cover Board (Adhered) | 72 AlphaGuard BIO Top Coat |
| 08 Equipment Support Stand Leg | 31 Approved Base Ply Sheet | 84 AlphaGuard Flashing Leg |
| 21 Polyisocyanurate Insulation (Adhered) | 52 AlphaGuard BIO Base Coat | 94 Equipment Support |
| | 61 AlphaGuard Glass Mat or Permafab | 105 Target Patch |

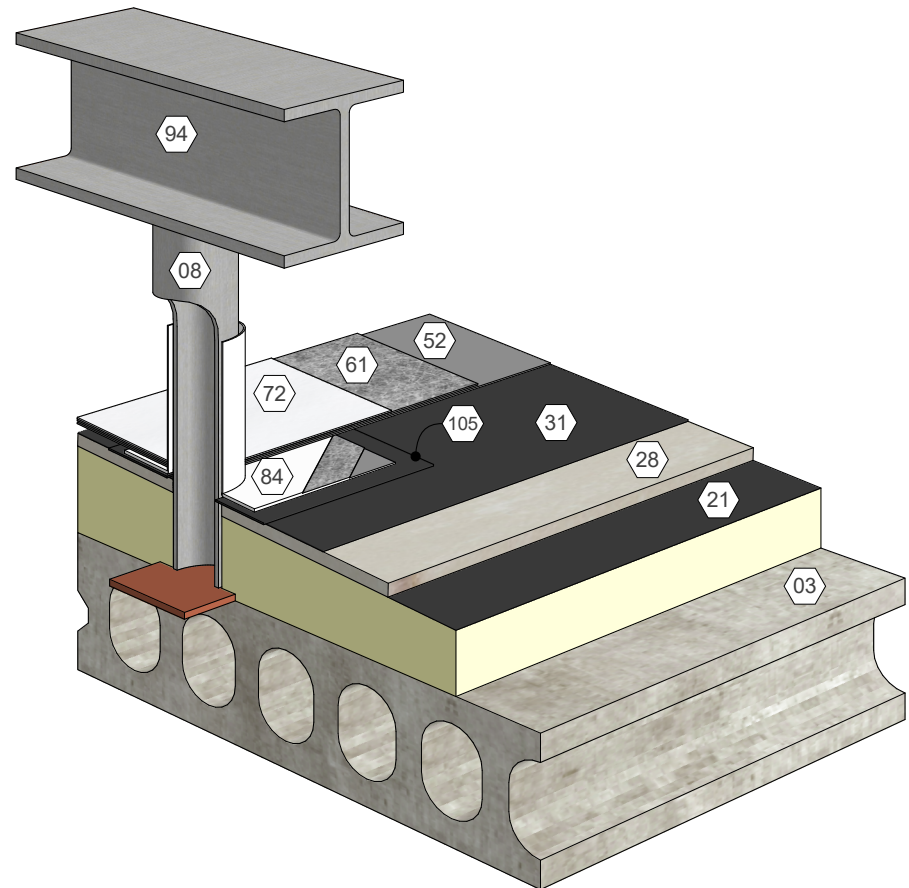


AlphaGuard® BIO Plus Equipment Support Stand Leg Detail, Structural Concrete Deck
Detail 23112

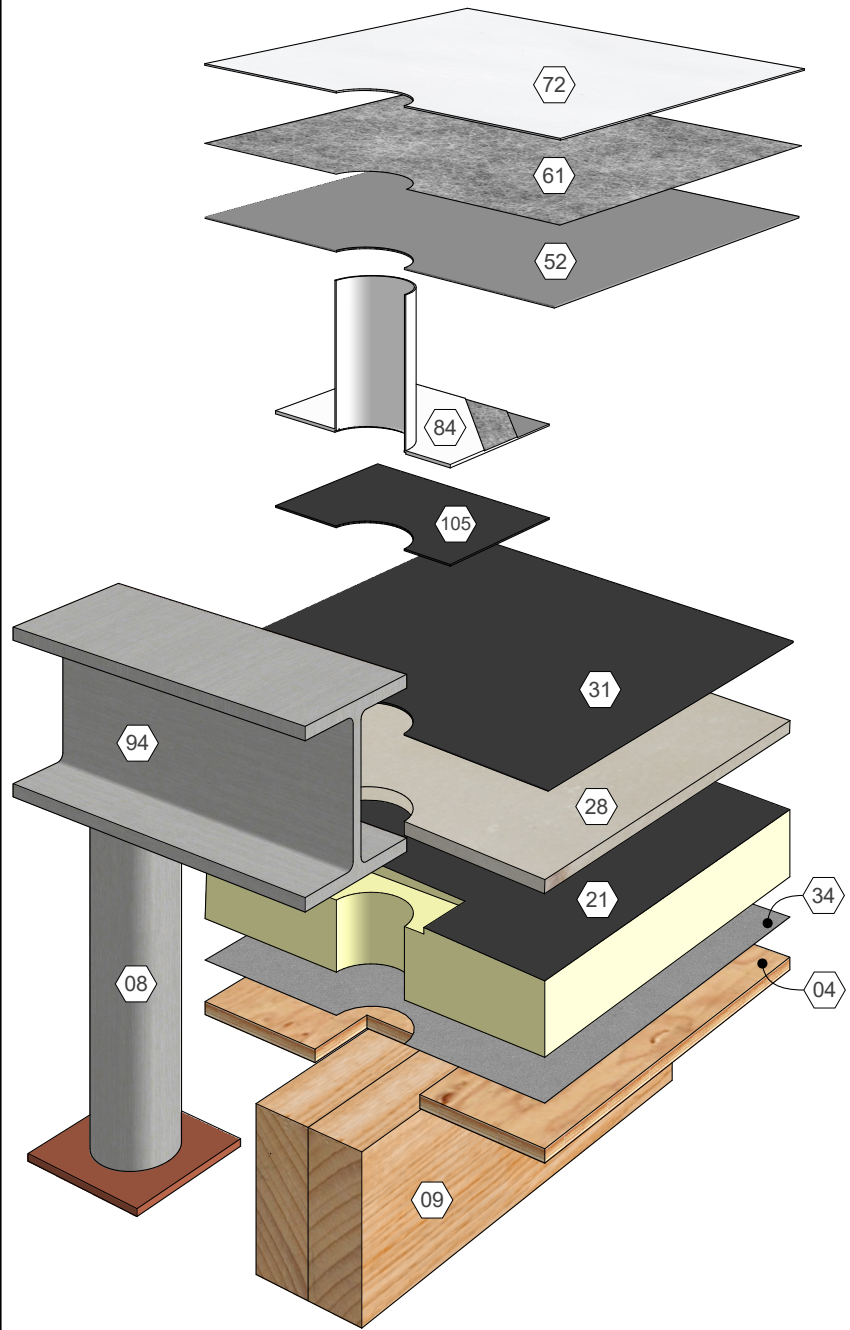


KEY NOTES

- | | | | | | |
|----|---------------------------------------|----|----------------------------------|-----|-------------------------|
| 03 | Precast Concrete Deck | 28 | Cover Board (Adhered) | 72 | AlphaGuard BIO Top Coat |
| 08 | Equipment Support Stand Leg | 31 | Approved Base Ply Sheet | 84 | AlphaGuard Flashing |
| 21 | Polyisocyanurate Insulation (Adhered) | 52 | AlphaGuard BIO Base Coat | 94 | Equipment Support |
| | | 61 | AlphaGuard Glass Mat or Permafab | 105 | Target Patch |

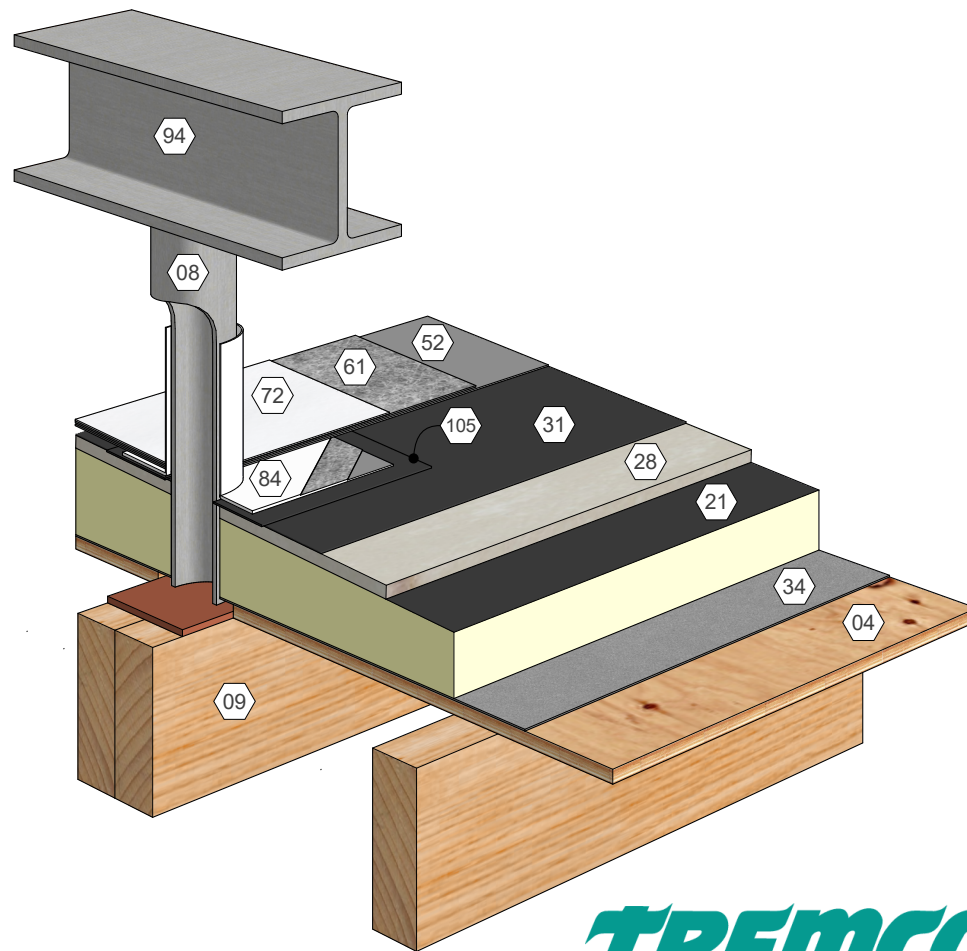


AlphaGuard® BIO Plus Equipment Support Stand Leg Detail, Precast Concrete Deck
Detail 23113



KEY NOTES

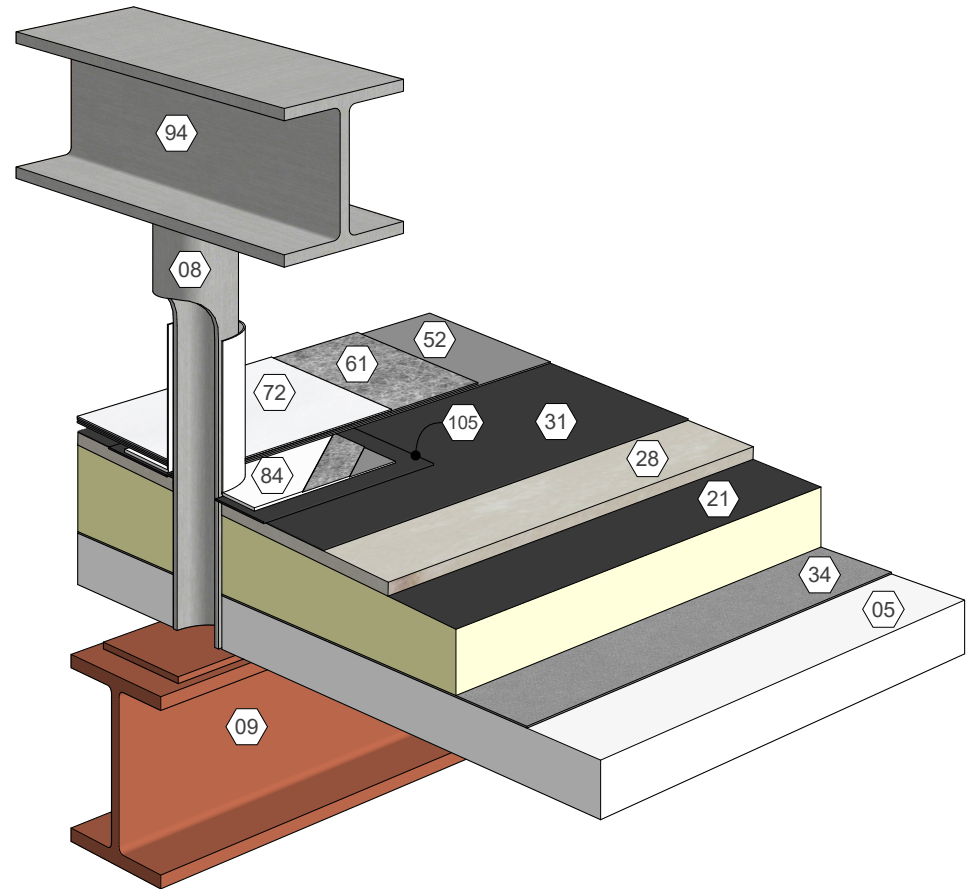
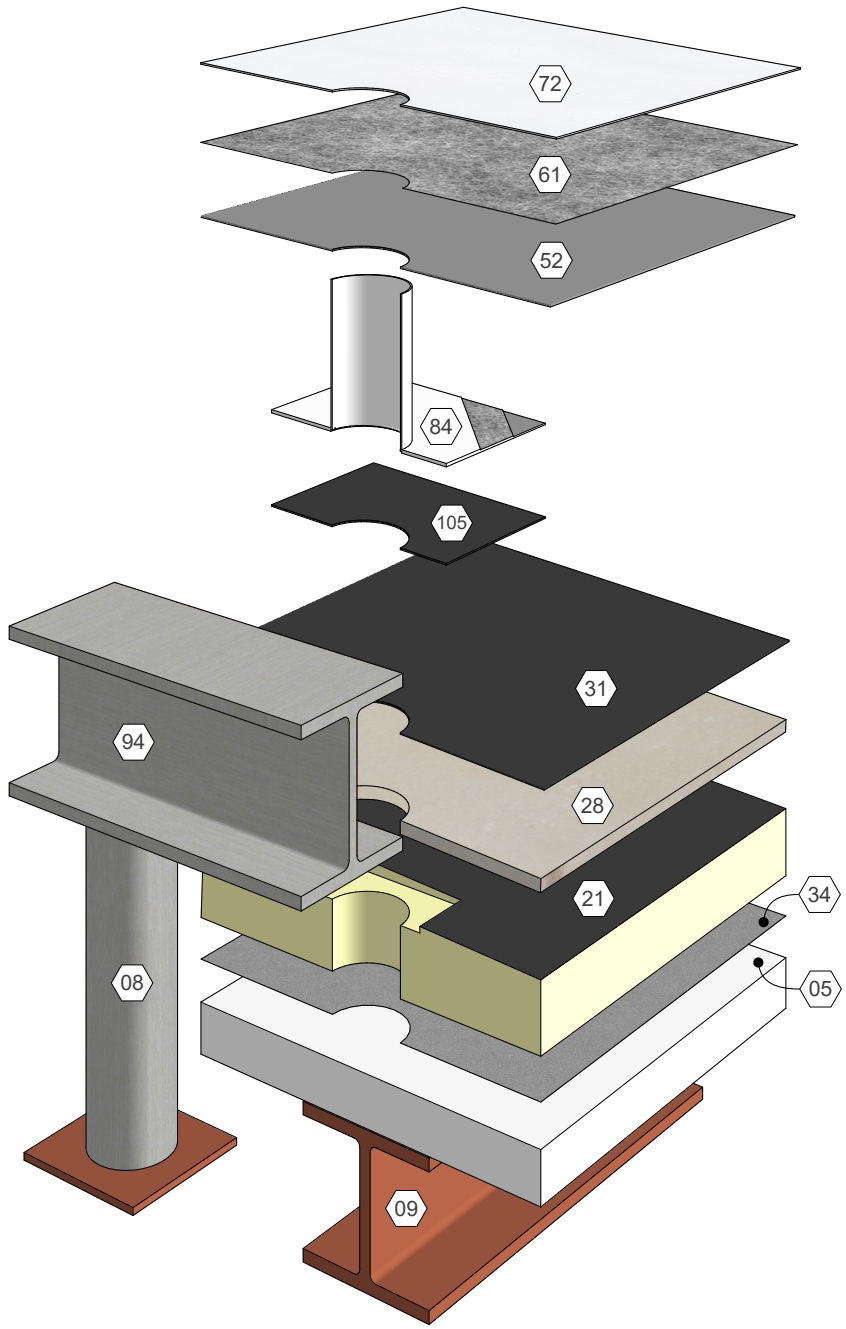
- | | | |
|---|--------------------------------------|-----------------------------|
| 04) Wood Deck | 28) Cover Board (Adhered) | 72) AlphaGuard BIO Top Coat |
| 08) Equipment Support Stand Leg | 31) Approved Base Ply Sheet | 84) AlphaGuard Flashing |
| 09) Roof Structure | 34) Base Sheet (Fastened) | 94) Equipment Support |
| 21) Polyisocyanurate Insulation (Adhered) | 52) AlphaGuard BIO Base Coat | 105) Target Patch |
| | 61) AlphaGuard Glass Mat or Permafab | |



AlphaGuard® BIO Plus Equipment Support Stand Leg Detail, Wood Deck
Detail 23114

KEY NOTES

- | | | |
|---|--------------------------------------|-----------------------------|
| 05) Gypsum Deck | 28) Cover Board (Adhered) | 72) AlphaGuard BIO Top Coat |
| 08) Equipment Support Stand Leg | 31) Approved Base Ply Sheet | 84) AlphaGuard Flashing |
| 09) Roof Structure | 34) Base Sheet (Fastened) | 94) Equipment Support |
| 21) Polyisocyanurate Insulation (Adhered) | 52) AlphaGuard BIO Base Coat | 105) Target Patch |
| | 61) AlphaGuard Glass Mat or Permafab | |



AlphaGuard® BIO Plus Equipment Support Stand Leg Detail, Gypsum Deck
Detail 23115